

# Model 94800568

Dual Polarized Crossed Notch Antenna

# COBHAM

2009 Data Sheet

The most important thing we build is trust

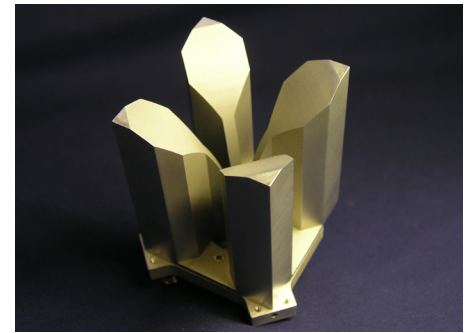
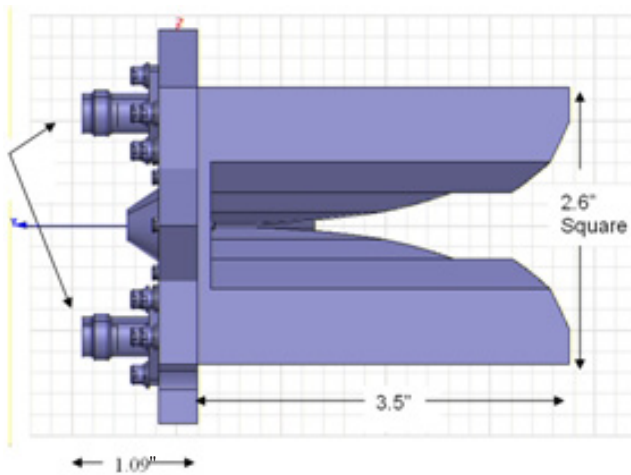
## Description

Cobham's Model 94800568 is a dual-linear, high-power, crossed notch antenna that operates over the 2 to 18 GHz frequency range. The antenna VSWR is 2.5:1 maximum and  $<2.0:1$  over 90% of the frequency range. Antenna gain ranges between 5 and 10 dB, and is +8dB nominal. The port-to-port isolation is more than 20 dB and RF power is 500 watts CW at each port simultaneously. Model 94800568 is suitable for high-power ECM applications; it is also suitable for feeding reflector antennas, wide-band antenna arrays and other broadband applications.

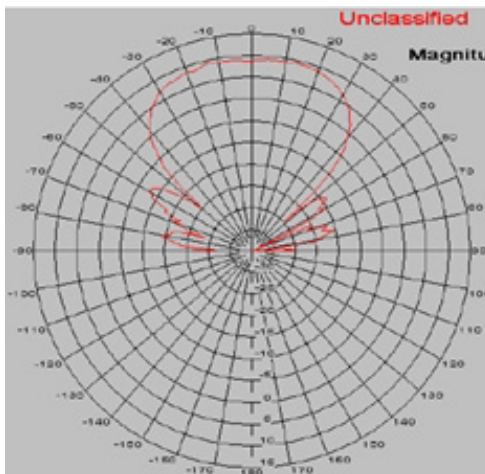
## Key Features

- 9:1 Bandwidth
- High Power
- Dual Polarized

## Physical Configuration



## Sample Radiation Patterns



E-Plane Port-1 9 GHz

## Specifications

Parameter	Value <sup>[1]</sup>
FREQUENCY RANGE	2.0 to 18.0 GHz
VSWR	2.5:1 max. <2.0:1 over 90% of frequency range
GAIN	+8 dB nominal
HPBW	40+ degrees nominal
ISOTROPIC BW	70+ degrees nominal
PORT-TO-PORT ISOLATION	More than 20 dB
SIZE	Approx. 2.5 x 2.5 x 5 in.
RF POWER	500 Watts CW each port simultaneously
WEIGHT	1.3 lbs.
INPUT	TNC
<sup>[1]</sup> Contact us with your custom design requirements	

For further information please contact:

Cobham Integrated Electronic Solutions  
305 Richardson Road  
Lansdale, PA 19446 USA  
Tel: 215 996-2416  
Fax: 215 996-2076

