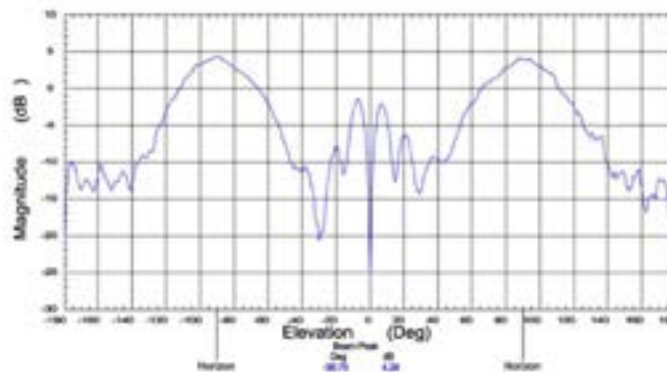
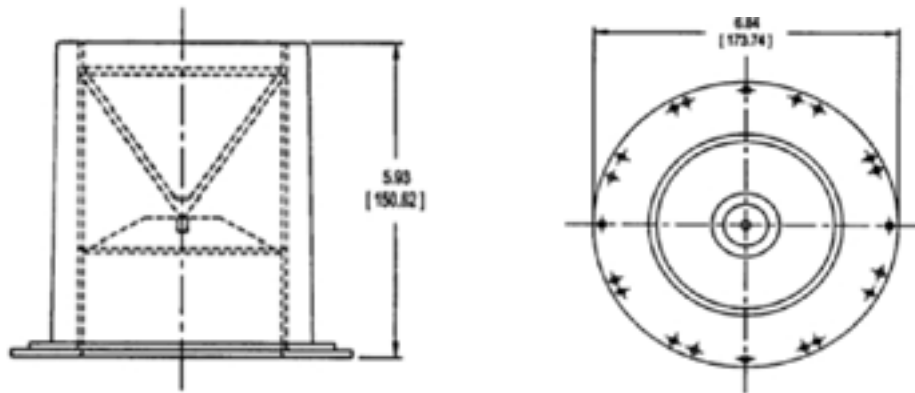


Model A6472 Omni-Directional Bicone

CAES model A6472 bicone antenna operates over a broad 9:1 bandwidth, provides omni-directional azimuth coverage, and can handle 50 Watts CW. This antenna features rugged aluminum and composite construction and includes an integral protective radome. It is available with optional vertical linear or circular polarization. The A6472 operates from 2 to 18 GHz, is approximately 6 inches tall by 6 inches diameter, and provides nominal gain of -5 to +3 dBIL. Other models are also available for other frequency ranges and gain; contact Cobham to discuss your specific requirements. This antenna is suitable for a range of uses including broadband communications systems and Electronic Warfare (EW) applications



PHYSICAL CONFIGURATION



Model A6472 Omni-Directional Bicone

KEY FEATURES:

- 9 : 1 Bandwidth
- Omni-Directional Azimuth
- Electrically Compact and light weight
- Integral Radome
- Rugged Construction
- Optional Polarizers

FREQUENCY RANGE:

- 2 to 18 GHz

VSWR:

- 3.0 : 1 max
- 2.0 : 1 average

GAIN (NOMINAL):

- | | | | |
|---------|---------|--------|---------|
| • 2 GHz | -5 dBiL | 6 GHz | -2 dBiL |
| • 8 GHz | 3 dBiL | 18 GHz | 3 dBiL |

POLARIZATION:

- Slant 45°

ELEVATION BEAMWIDTH:

- 90° to 16° nominal

RF POWER:

- 50 Watts CW

WEIGHT:

- 2 lbs.

INPUT:

- SMA Female

