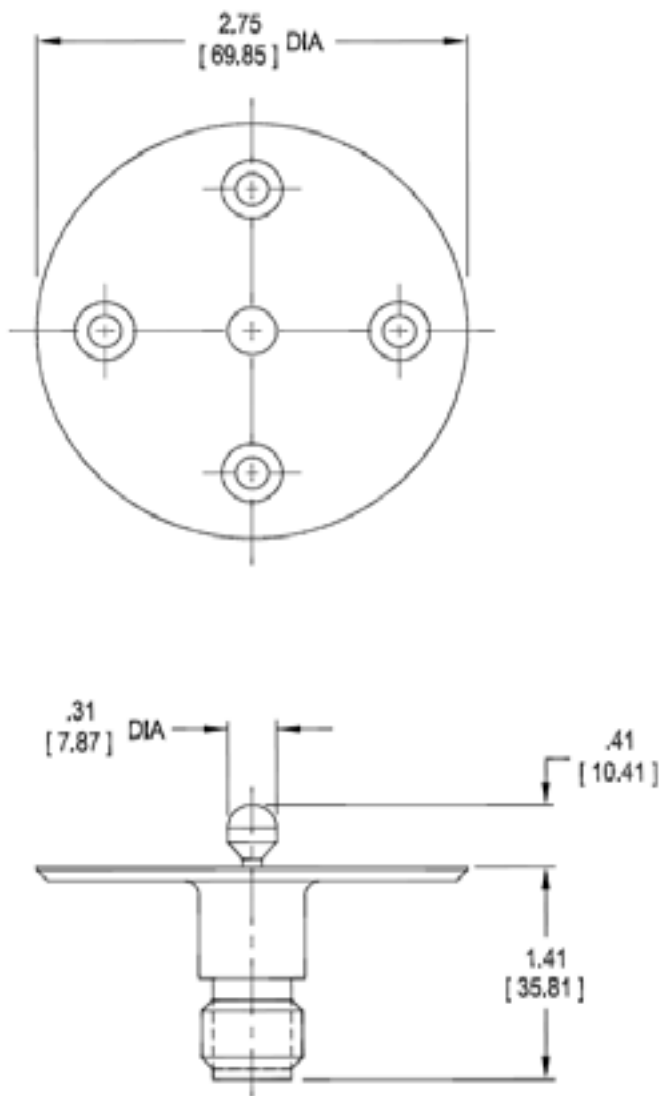


Model 13D00400 Low Profile X-Band Stub

Model 13D00400 is a low profile stub antenna. Its pattern is similar to a quarter-wavelength monopole. This unit is constructed with a ground plane, making it suitable for installation on composite aircraft structures.

PHYSICAL CONFIGURATION



Model 13D00400 Low Profile X-Band Stub

FEATURES :

- Ground Plane
- Airborne Application

FREQUENCY RANGE:

- 8.5 to 9.6 GHz

VSWR:

- 1.5 : 1
max.

IMPEDANCE:

- 50 ohms nominal

POLARIZATION:

- Vertical

PATTERN:

- Quarter-wavelength monopole over a ground plane

RF POWER:

- 700 Watts peak
- 10 Watts average

WEIGHT:

- .4 lb.
max.

INPUT

- N Jack

ALTITUDE:

- 100,000 ft.

ENVIRONMENTAL SPECIFICATION:

- MIL-HDBK-5400

